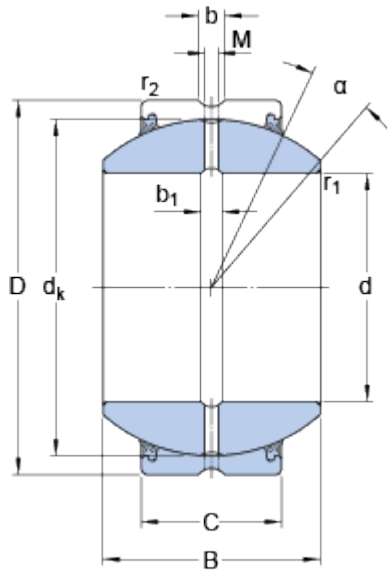


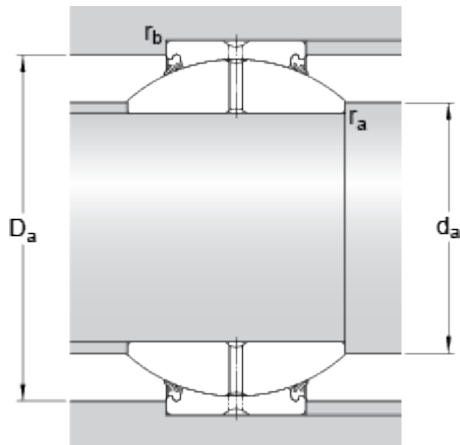
GEH 100 ES-2RS

Dimensions



d		100	mm
D		160	mm
B		85	mm
C		55	mm
α		13	°
d_k		140	mm
b		11.5	mm
b_1		11.5	mm
M		5	mm
r_1	min.	1	mm
r_2	min.	1	mm

Abutment dimensions



d_a	min.	108.1	mm
d_a	max.	111.2	mm
D_a	min.	141.5	mm
D_a	max.	153.3	mm
r_a	max.	1	mm
r_b	max.	1	mm

Calculation data

Basic dynamic load rating	C	655	kN
Basic static load rating	C_0	3250	kN
Specific dynamic load factor	K	100	N/mm ²
Specific static load factor	K_0	500	N/mm ²
Material constant	K_M	330	

Mass

Mass plain bearing	6.8	kg
--------------------	-----	----

